

DALI BLE Fixture-Integrated Sensor Controller



Product Datasheet

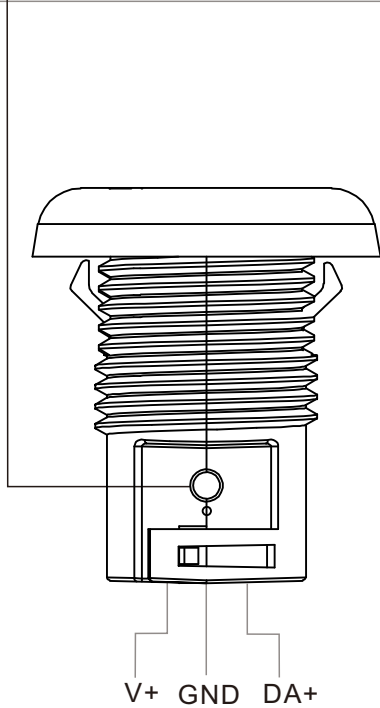
Please read all instructions before installation



Technology Partner **SILVAIR**

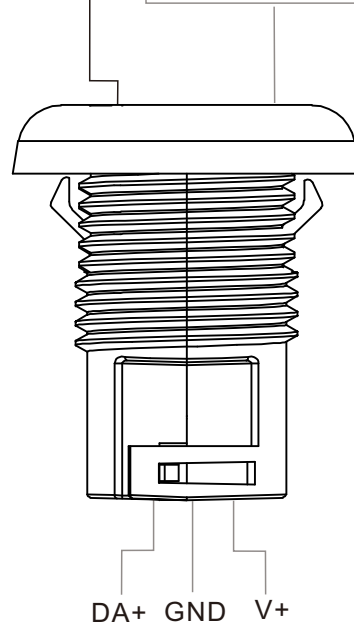
Product info

Reset Key: Press it to help withdraw the device from internet/APP, LED flashes quickly indicates success.



Indicator: Turns RED when movement has been detected.

Light sensor: Ambient light detection and daylight harvesting



Note :

V+: Power supply

GND: Common port for V- & DA-

DA+: DALI signal port

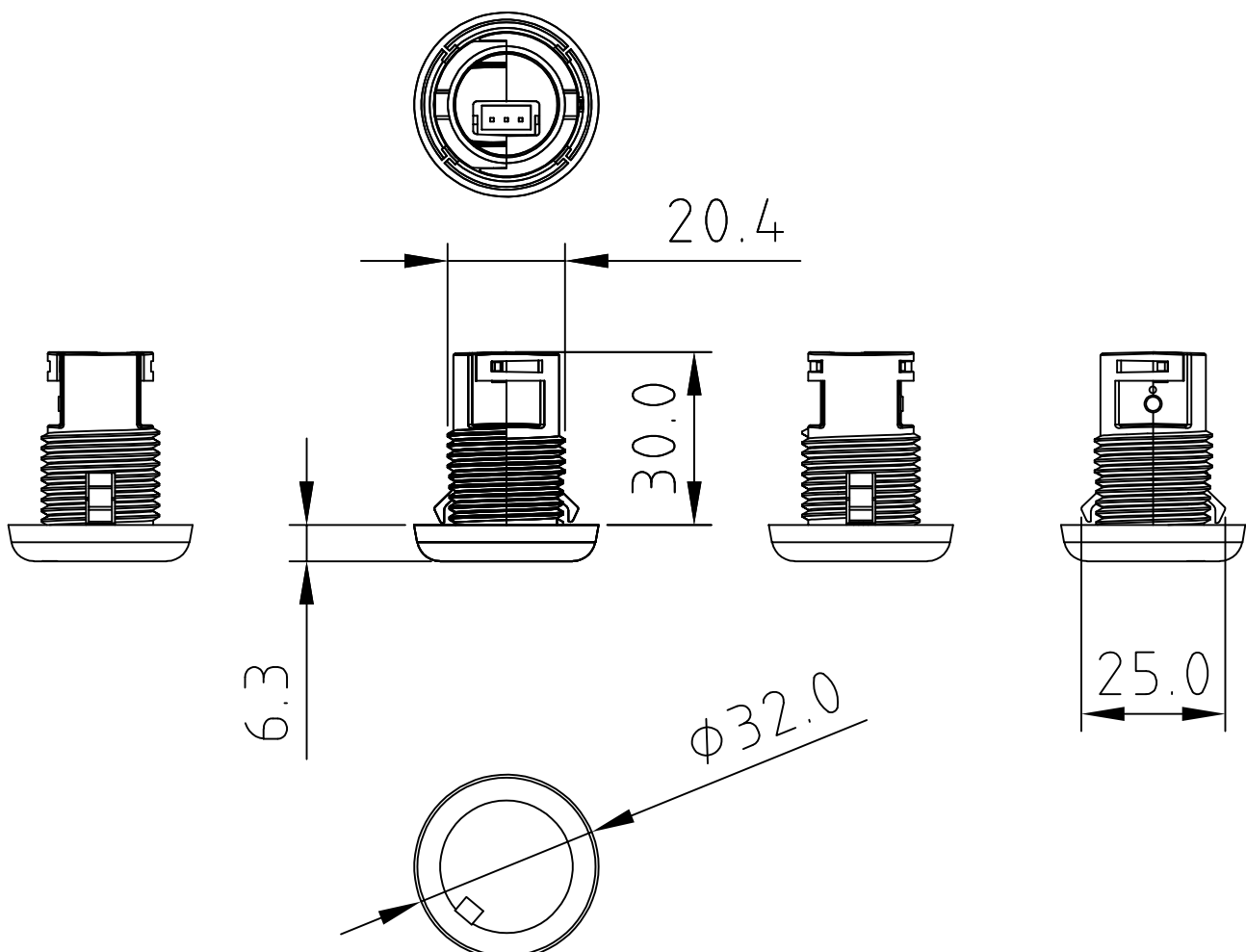
Parameters

Input		Output, DALI	Control		Environment		Others
Power	Signal	Current	Dimming Curve	Dimming Method	Operating temperature	Relative humidity	Size
12-24VDC	Bluetooth	Max. 50mA	Logarithmic	PWM	-20°C-+50°C	8% to 80%	See dimensions

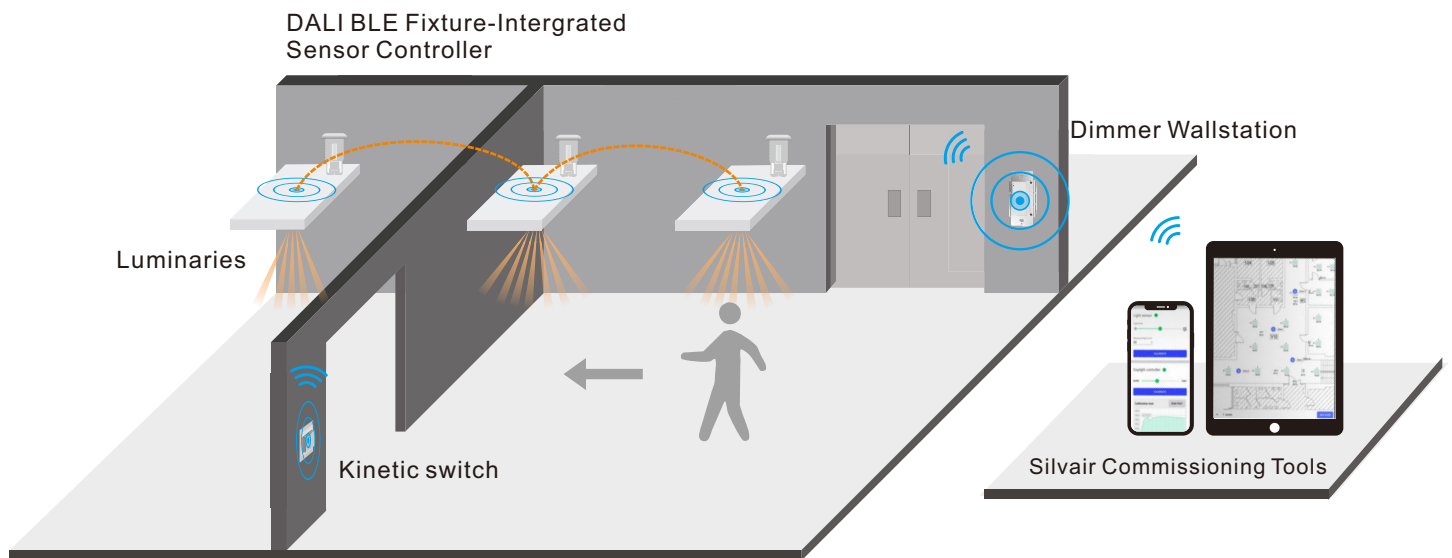
Features

- Bluetooth to DALI signal Microwave sensor controller, Bluetooth® mesh network
- Built-in 50mA DALI BUS signal output
- Mesh network, which has a much longer control distance, transmits received signals to neighboring devices
- All devices on DALI line are broadcast controlled by mobile application
- Supporting our kinetic energy switches and EnOcean switches EWSSB and EWSDB
- In typical indoor environment, the typical range for wireless communication is 20m to 25m . Actual range is dependent on field installation.
- Available with Magnetic reset (Touch the top part of sensor for 5 seconds)
- On-board antenna
- Waterproof grade: IP20
- 5 years warranty

Dimension



Application



Specifications

ENERGY SAVINGS

- Low/High-end trimming
- Daylight harvesting
- Occupancy/Vacancy detection
- Auto and advanced demand response programs
- Time-of-Day dimming schedule
- Energy monitoring

COMFORT & CONVENIENCE

- Advanced occupancy detections
- Light-level stability
- Configurable dim-and-linger occupancy
- Personalized setting profile
- Work with kinetic switch keypad and dimmer wallstation
- Multi-scenes control

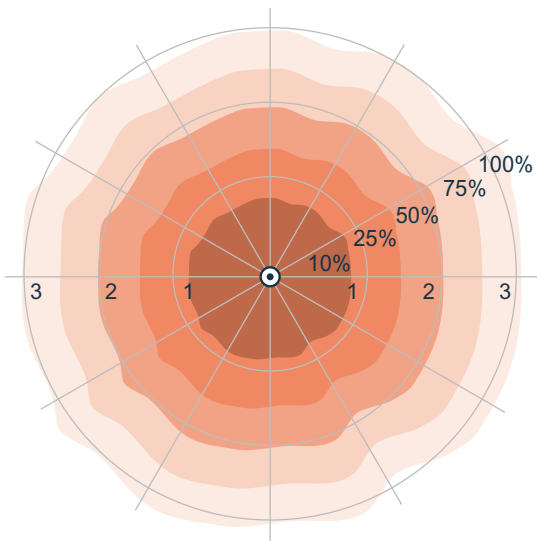
SENSING

- Testing Data:
- Mounting height: 2.5m
- Detection area diameter: 10m@2.5m

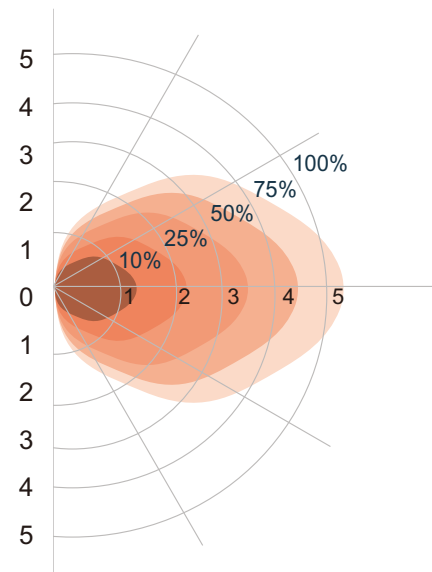
ENVIRONMENT AND APPROBATION

- Operating temperature: -20°C to 55°C
- Agency approbations: CE/RoHS/UL Comming soon...
- Warranty: 5 years

Detection Pattern



Ceiling Pattern (Unit: m)
Installation Height: 2-4m, max. 6m



Wall Pattern (Unit: m)

Warning

- DO NOT install with power applied to device
- DO NOT expose the device to moisture

Operation

- Do wiring according to connection diagram
- Kindly refer to **Silvair commissioning User Manual** for further pairing
- Press and hold down the "Reset" button on the controller over 5 seconds until the indicator flashes , which means it has been reset
- Available with Magnetic reset (Touch the top part of sensor for 5 seconds)

Wiring

